

**PRODUCT: CHIMNEY CAP ADAPTOR**

**MATERIALS:** GALVANIZED & STAINLESS STEEL

**SIZES:** 5", 6", 7", 8", 10", 12"

**PRODUCT HIGHLIGHTS**

THE ARTIS CHIMNEY CAP ADAPTOR SLIDES DOWN THE INSIDE OF THE TRIPLE WALL OR INSULATED PIPE LEAVING A 2" COLLAR TO ATTACH ANY ARTIS CHIMNEY CAP TO THE PIPE.

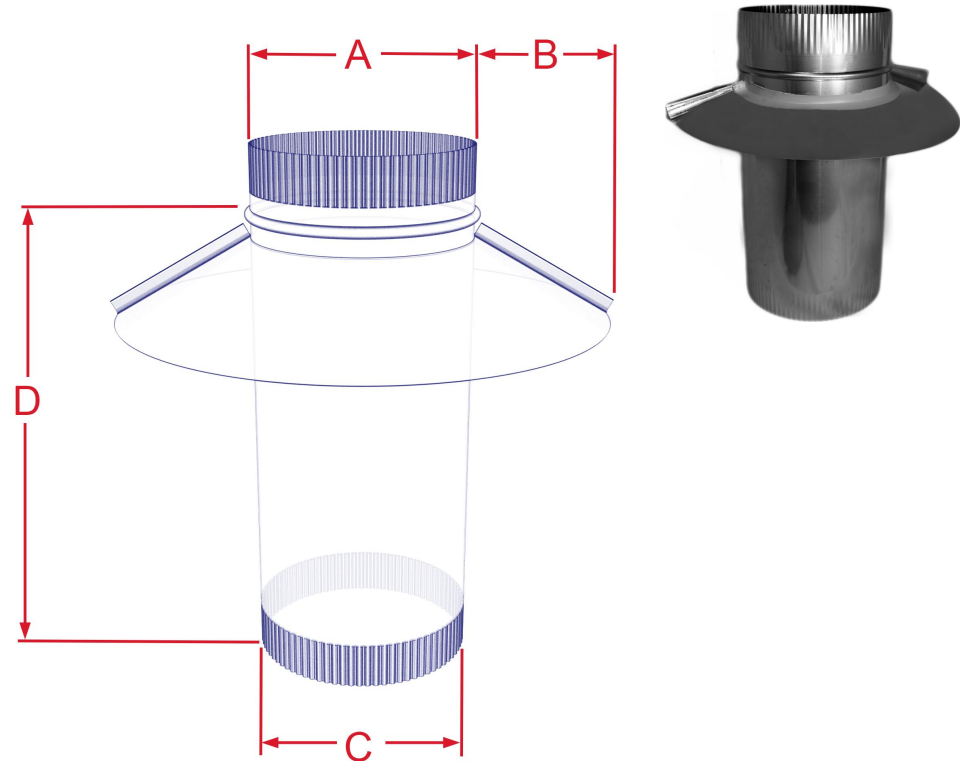
- MANUFACTURED FOR USE INSIDE
- DOUBLE OR TRIPLE WALL PIPE
- CAN BE USED WITH ANY STYLE CHIMNEY CAP
- 3" WIDE COLLAR PROVIDES WEATHER PROTECTION
- TOP OR COLLAR IS CRIMPED FOR EASY ASSEMBLY
- GALVANIZED (G-90)
- STAINLESS STEEL (304-2B)

**SPECIFICATION KEY**

**SPECIFY MATERIAL AFTER PART**

G = GALVANIZED (**G**WVA#)

S = STAINLESS STEEL (**A**WVA#)



SKU	SIZE	A	B	C	D
_WVA5	5	4.875	3	4.875	9.75
_WVA6	6	5.875	3	6.125	9.75
_WVA7	7	6.875	3	8.1225	9.75
_WVA8	8	7.875	3	10.125	9.75
_WVA10	10	9.875	3	10.125	9.75
_WVA12	12	11.875	3	10.125	9.75