

PRODUCT: GALVANIZED J-VENT | ROOF VENT CAP | 6"- 12" EXTENSION (JV__CL)

MATERIALS: GALVANIZED

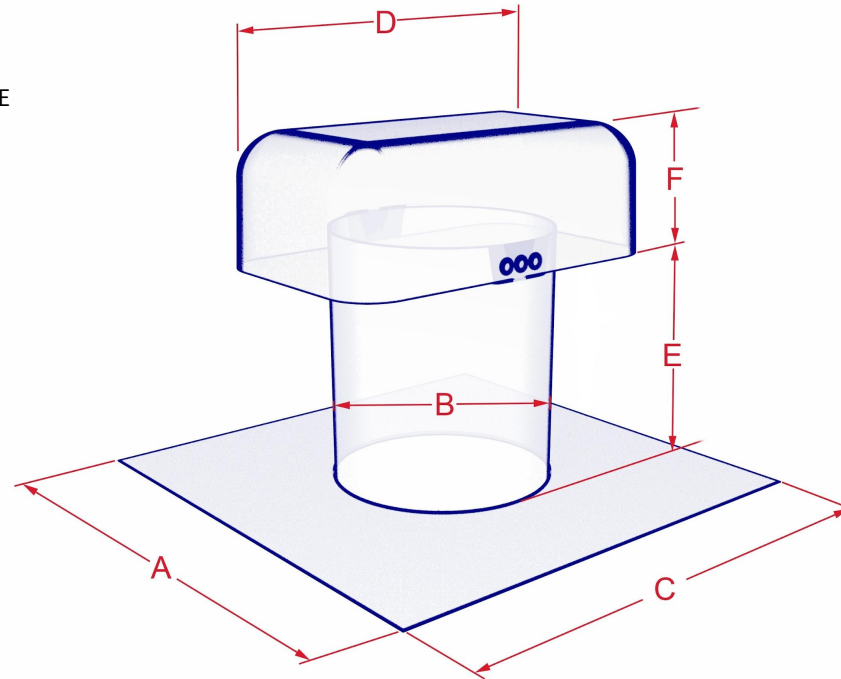
SIZES: 3", 4" & 6" (DRAWN HOOD STYLE), 7", 8"-12" (3 PIECE HOOD STYLE), 14" (CRIMPED HOOD STYLE)



PRODUCT HIGHLIGHTS

THE TALLER THROAT OF THE J-VENT WITH CLEARANCE OFFERS MORE CLEARANCE FROM THE FLANGE TO THE BOTTOM OF THE HOOD

- LOW SILHOUETTE
- INSTALLS ON ANY PITCH
- 1/8" INSECT SCREEN
- CAN BE MANUFACTURED FOR SHAKE BASE, HARD CONNECT & CURB MOUNT APPLICATIONS
- TALLER CLEARANCES AVAILABLE
- GALVANIZED (G-90)



SKU	SIZE	A	B	C	D	E (EXTENSION)	F	Free Area
JV328CL (DRAWN HOOD)	3"	8.00	3.00	8.00	5.00	6-12	1.75	7.00
JV428CL (DRAWN HOOD)	4"	9.00	4.00	9.00	6.00	6-12	1.75	12.00
JV538CL (3 PIECE HOOD)	5"	11.00	5.00	11.00	8.25	6-12	3.00	12.00
JV626CL (DRAWN HOOD)	6"	12.00	6.00	15.00	11.00	6-12	3.00	28.00

SKU	SIZE	A	B	C	D	E (EXTENSION)	F	Free Area
JV726CL (DRAWN HOOD)	7"	12.00	7.00	15.00	11.00	6-12	3.25	38.00
JV826CL (3 PIECE HOOD)	8"	15.00	8.00	15.00	12.00	6-12	3.50	50.00
JV1026CL (3 PIECE HOOD)	10"	15.00	10.00	20.00	16.00	6-12	4.25	78.00
JV1226CL (3 PIECE HOOD)	12"	20.00	20.00	24.00	19.00	6-12	4.50	113.00
JV1424CL (CRIMPED HOOD)	14"	22.00	17.00	24.00	19.00	6-12	4.25	153.00



EMAIL: DAVE@LUXURYMETALS.COM
PHONE: (206) 406-7346 | **WEBSITE:** WWW.LUXURYMETALS.COM



Luxury Metals LLC
 4708 W Fairview Ave #100
 Boise, ID 83706