

**PRODUCT: RECTANGULAR - WALL VENT CAP | (R\_\_\_\_)**

**MATERIALS:** GALVANIZED, ALUMINUM & POWDER COATED

**SIZES:** 3.25 X 10", 3.25 X 12", 3.25 X 14" | SCREEN ONLY, DAMPER ONLY, DAMPER & SCREEN



**MATERIAL & COLOR KEY**

**SPECIFY MATERIAL AFTER PART**

LEAVE BLANK = GALVANIZED (R #)

S = STAINLESS STEEL (R#S #)

A = ALUMINUM (R#A #)

**SPECIFY DAMPER & SCREEN OPTIONS BEFORE PART**

D = DAMPER ONLY (R\_#D)

S = SCREEN ONLY (R\_#S)

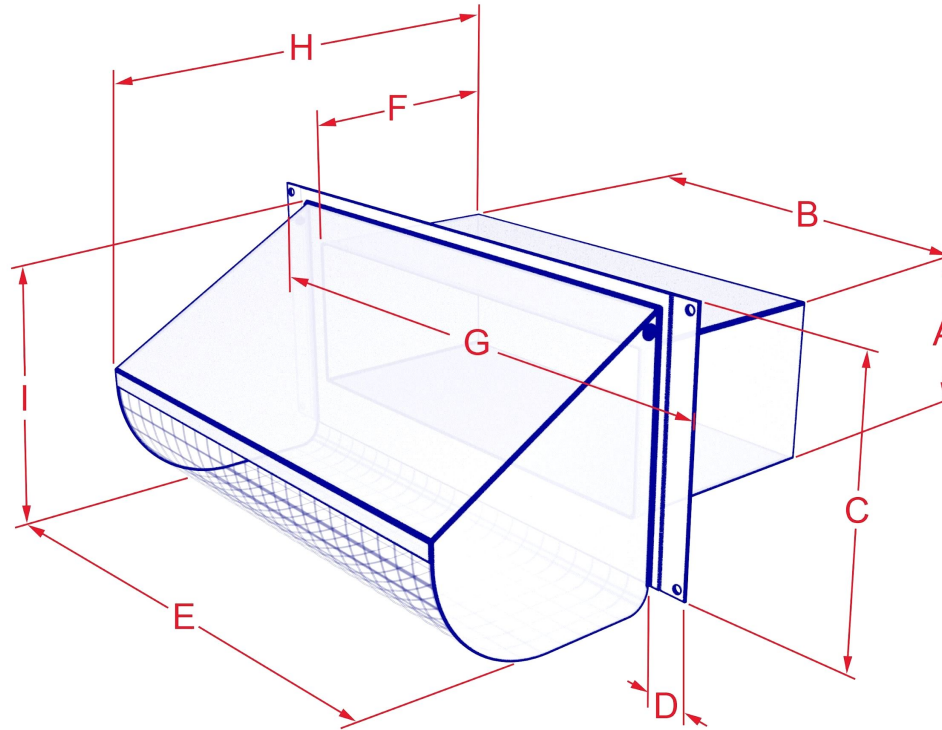
SD = DAMPER & SCREEN (R\_#SD)

**SPECIFY POWDER COATED COLORS AT END OF PART**

BL = BLACK (R#BL)

BR = BROWN (R#BR)

W = WHITE (R#W)



SKU	SIZE	A	B	C	D	E	F	G	H
R__310__	3.25 X 10"	3.25	10.00	5.635	1.00	11.00	4.875	12.75	9.50
R__312__	3.25 X 12"	3.25	12.00	5.625	1.00	12.875	4.875	14.563	9.50
R__314__	3.25 X 14"	3.25	14.00	5.625	1.00	15.875	4.875	16.563	9.50



**EMAIL:** DAVE@LUXURYMETALS.COM  
**PHONE:** (206) 406-7346 | **WEBSITE:** WWW.LUXURYMETALS.COM



Luxury Metals LLC  
 4708 W Fairview Ave #100  
 Boise, ID 83706