

PRODUCT: STAINLESS STEEL WALL VENT CAP (__WVSS__)

MATERIALS: STAINLESS STEEL

SIZES: 3" - 10" | SCREEN ONLY, DAMPER ONLY, DAMPER & SCREEN



PRODUCT HIGHLIGHTS

THE WALL CAP IS IDEAL FOR USE WITH THE DAMPER ONLY DRYER VENTING, KITCHEN FAN EXHAUST, BATH FAN EXHAUST, FURNACE AIR INTAKE (SCREEN ONLY), WHOLE HOUSE VENTILATIONS, AND HRV'S. VENTS WITH DAMPERS COME STANDARD WITH A SPRING CLOSURE DAMPER AND WEATHER SEAL FOR INCREASED ENERGY

- SPRING CLOSE FOAM LINED DAMPERS
- STAINLESS STEEL SCREENS ARE 1/4"
- 1/8" SCREENS AVAILABLE UPON REQUEST
- STAINLESS STEEL (304-2B)
- HOOD, FLANGE & DAMPER

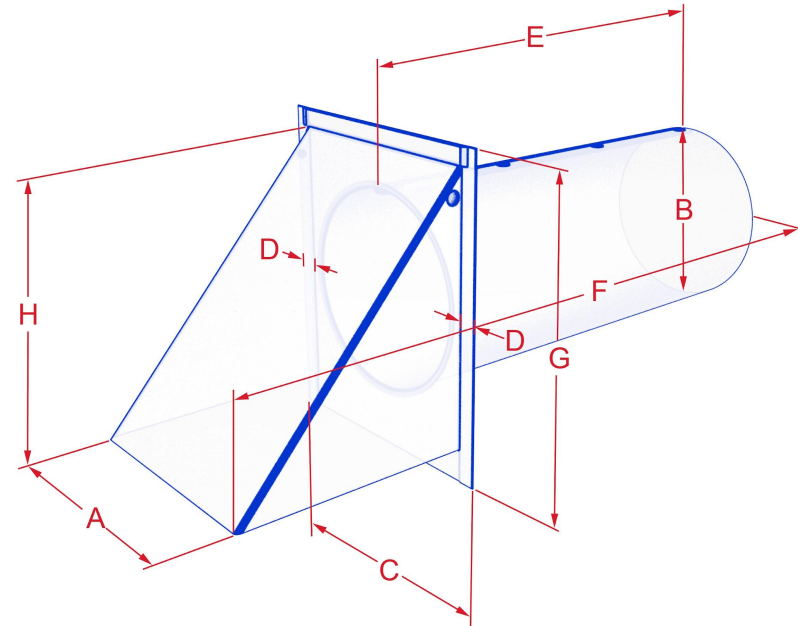
SPECIFICATION KEY

SPECIFY DAMPER & SCREEN OPTIONS BEFORE PART

D = DAMPER ONLY (**DWV__#**)

S = SCREEN ONLY (**SWV__#**)

SD = DAMPER & SCREEN (**SDWV__#**)



SKU	SIZE	A	B	C	D	E	F	G	H
__WVSS3	3"	5.00	3.00	6.00	.5	8.5	12.375	6.625	5.375
__WVSS4	4"	5.00	4.00	6.00	.5	8.5	12.375	6.625	5.375
__WVSS5	5"	6.00	5.00	7.00	.5	8.5	12.25	7.00	6.125
__WVSS6	6"	7.0625	6.00	8.00	.5	8.5	12.75	8.00	7.375
__WVSS7	7"	7.875	7.00	9.00	.5	8.5	13.75	9.00	7.875
__WVSS8	8"	9.875	8.00	11.00	.5	8.5	13.625	11.00	9.812
__WVSS10	10"	12.00	10.00	13.00	.5	8.5	15.00	13.5	11.812



EMAIL: DAVE@LUXURYMETALS.COM
PHONE: (206) 406-7346 | **WEBSITE:** WWW.LUXURYMETALS.COM



Luxury Metals LLC
 4708 W Fairview Ave #100
 Boise, ID 83706