

# PRODUCT: CONE TOP CAP ( \_CT\_ )

MATERIALS: GALVANIZED & STAINLESS STEEL

SIZES: 3" - 16"

## PRODUCT HIGHLIGHTS

THE CONE TOP CAP IS FOR USE AS AN ALL-WEATHER CAP TO KEEP RAIN AND SNOW FROM LEAKING INTO CHIMNEY PIPE AS WELL AS FOR VENTILATION. CONVENIENT DRAWBOLT INSTALLATION FOR SECURE FIT UP TO SIZE 16", 18" & UP, BUILT TO FIT.

- KEEPS RAIN & SNOW OUT
- STANDARD IS WITHOUT SCREEN
- 1/2", 1/4", OR 1/8" SCREEN AVAILABLE BY REQUEST
- GALVANIZED (G-90)
- STAINLESS STEEL (304-2B)

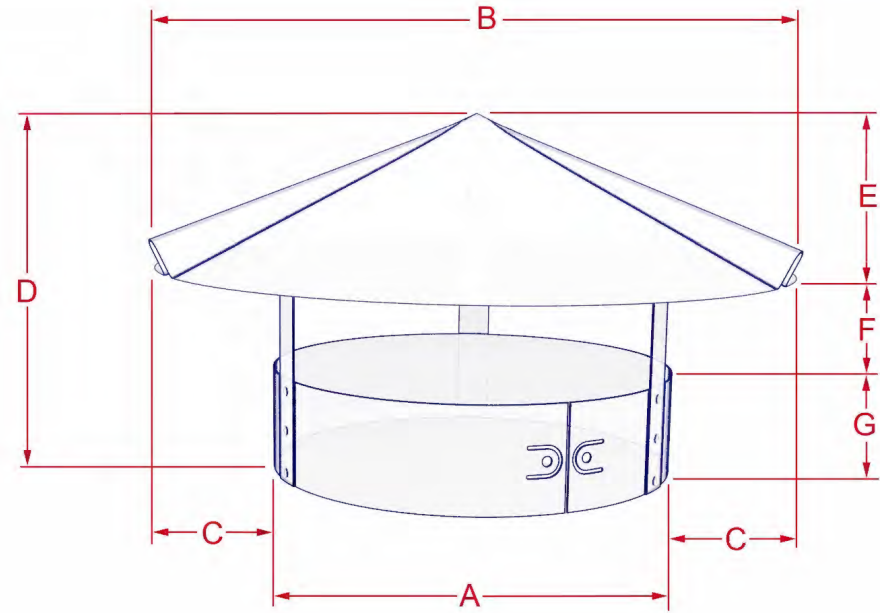
## SPECIFICATION KEY

SPECIFY MATERIAL AFTER PART

G = GALVANIZED (GCT#)

SS = STAINLESS STEEL (SCT#)

AVAILABLE UP TO  
24" (CALL FOR MORE  
INFO)



SKU	SIZE	A	B	C	D	E	F	G
_CT3	3"	3.00	6.50	1.50	4.25	2.50	1.00	2.00
_CT4	4"	4.00	7.50	1.75	5.75	2.50	1.25	2.00
_CT5	5"	5.00	8.75	1.75	5.75	2.50	1.25	2.00
_CT6	6"	6.00	10.25	2.00	6.50	3.00	1.50	2.00
_CT7	7"	7.00	11.50	2.00	6.50	2.75	1.75	2.00
_CT8	8"	8.00	12.50	2.25	7.00	3.00	2.00	2.00
_CT9	9"	9.00	14.00	2.50	7.75	3.25	2.50	2.00
_CT10	10"	10.00	15.00	2.75	8.50	3.50	3.00	2.00
_CT12	12"	12.00	18.00	3.00	10.00	4.00	4.00	2.00
_CT14	14"	14.00	21.00	3.50	10.00	4.00	4.00	2.00
_CT16	16"	16.00	21.50	3.75	10.00	4.25	3.75	3.00