

**PRODUCT: J-VENT | ROOF VENT CAP (CJV\_\_)**

**MATERIALS: COPPER**

**SIZES: 3", 4", 5" (CRIMPED HOOD STYLE) & 6", 8", 10", 12" (3 PIECE HOOD STYLE)**



3 PIECE HOOD STYLE  
SIZES: 6", 8", 10", & 12"



CRIMPED HOOD STYLE  
SIZES: 3", 4", 5"

**PRODUCT HIGHLIGHTS**

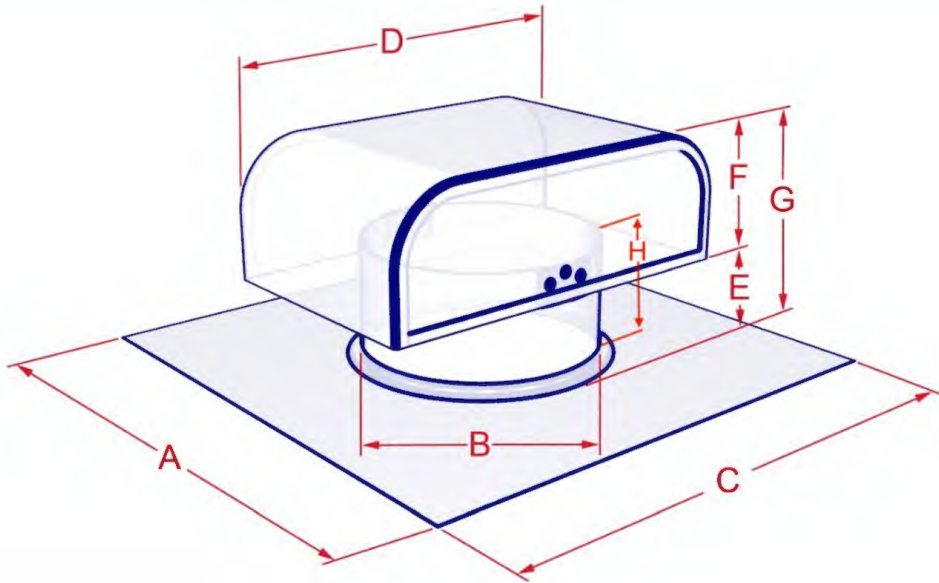
THE J-VENT IS USED PRIMARILY AS AN EXHAUST VENT FOR BATHROOMS, RANGE HOODS, AND OTHER AIR QUALITY APPLICATIONS. IT IS ALSO USED FOR PASSIVE ATTIC VENTILATION OR FRESH AIR INTAKE. THE J-VENT CAN ALSO BE USED ON ANY ROOF PITCH.

- LOW SILHOUETTE
- INSTALLS ON ANY PITCH
- 1/8" INSECT SCREEN
- CAN BE MANUFACTURED FOR SHAKE BASE, HARD CONNECT & CURB MOUNT APPLICATIONS
- TALLER CLEARANCES AVAILABLE

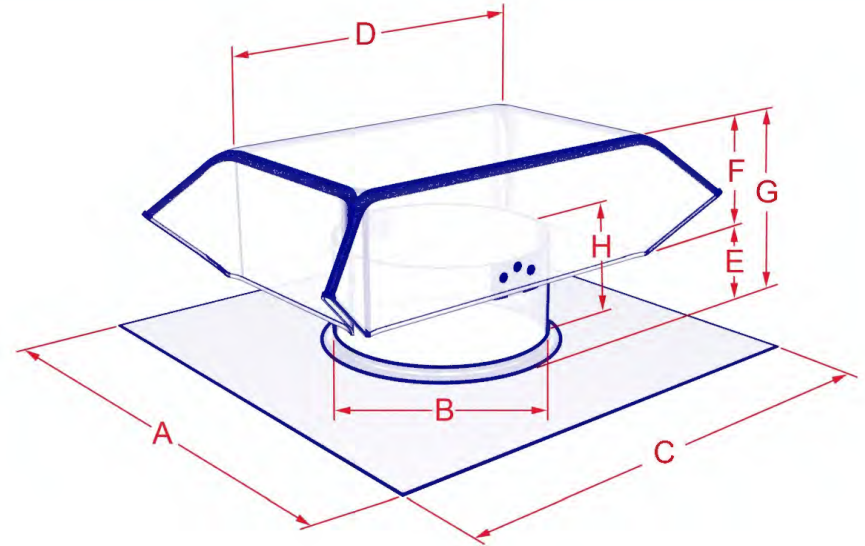
**PRODUCT: J-VENT COPPER | ROOF VENT CAP (CJV\_\_)**

**MATERIALS: COPPER**

**SIZES: 4" (CRIMPED HOOD STYLE) & 6", 8", 10", 12" (3 PIECE HOOD STYLE)**



3 PIECE HOOD STYLE  
SIZES: 6", 8", 10", & 12"



CRIMPED HOOD STYLE  
SIZES: 4"

SKU	SIZE	A	B	C	D	E	F	G	H
CJV416 (CRIMPED HOOD)	4"	9.00	4.00	9.00	6.25	1.50	1.75	3.25	2.50
CJV616 (3 PIECE HOOD)	6"	12.00	6.00	15.00	10.00	2.00	3.00	5.00	4.00
CJV816 (3 PIECE HOOD)	8"	15.00	8.00	15.00	12.00	2.00	3.50	5.50	2.13
CJV1016 (3 PIECE HOOD)	10"	15.00	10.00	20.00	16.00	2.225	4.25	6.50	5.25
CJ1216 (3 PIECE HOOD)	12"	20.00	12.00	24.00	19.00	2.50	4.50	7.00	1.88