

PRODUCT: VACUUM CAP (VC)

MATERIALS: GALVANIZED, STAINLESS STEEL & ALUMINUM

SIZES: 3" - 20"

PRODUCT HIGHLIGHTS

- IDEAL FOR GAS OIL, COAL & WOOD BURNING APPLICATIONS
- FITS SINGLE WALL OR INSULATED PIPE
- ADJUSTABLE DRAW BOLT FOR PROPER FIT
- STATIONARY CAP
- ALUMINUM (H3003)
- STAINLESS STEEL (304-2B)
- GALVANIZED (G-90)

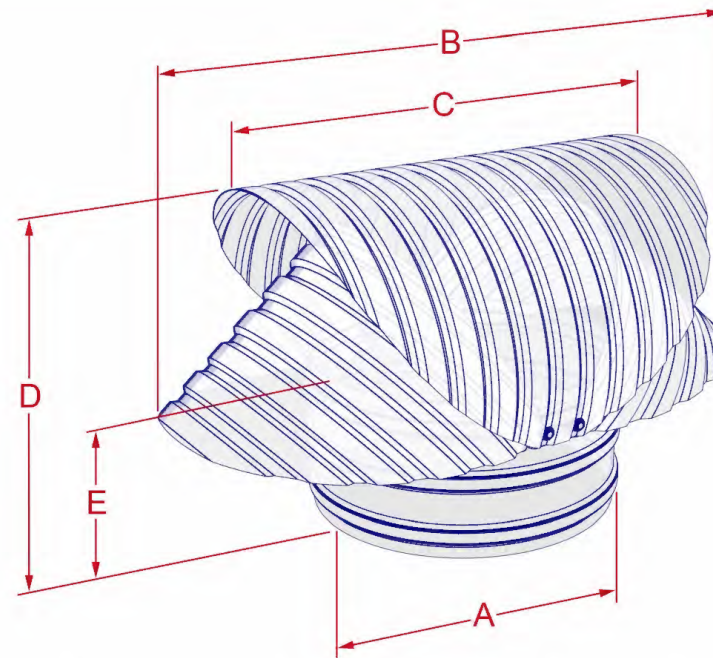
MATERIAL KEY

SPECIFY MATERIAL BEFORE PART

G = GALVANIZED (GVC#)

S = STAINLESS STEEL (SVC#)

A = ALUMINUM (AVC#)



SKU	SIZE	A	B	C	D	E
<u> </u> VC3	3"	3.00	6.25	4.50	5.00	2.75
<u> </u> VC4	4"	4.00	8.50	5.25	6.25	3.00
<u> </u> VC5	5"	5.00	9.00	7.5	8.25	3.00
<u> </u> VC6	6"	6.00	11.50	9.50	9.75	3.75
<u> </u> VC7	7"	7.00	13.25	11.25	9.75	4.00
<u> </u> VC8	8"	8.00	16.00	11.75	9.25	4.00
<u> </u> VC9	9"	9.00	17.00	13.5	11.25	4.00
<u> </u> VC10	10"	10.00	20.00	16.75	12.75	4.75
<u> </u> VC12	12"	12.00	23.00	17.50	12.75	5.00
<u> </u> VC14	14"	14.00	25.00	21.75	12.75	5.00
<u> </u> VC16	16"	16.00	30.25	23.5	18.00	7.75
<u> </u> VC18	18"	18.00	31.5	26.75	17.5	7.5