

PRODUCT: WIND DIRECTIONAL CAP (WDC_)

MATERIALS: GALVANIZED & STAINLESS STEEL

SIZES: 4" - 12"



LUXURY METALS

PRODUCT HIGHLIGHTS

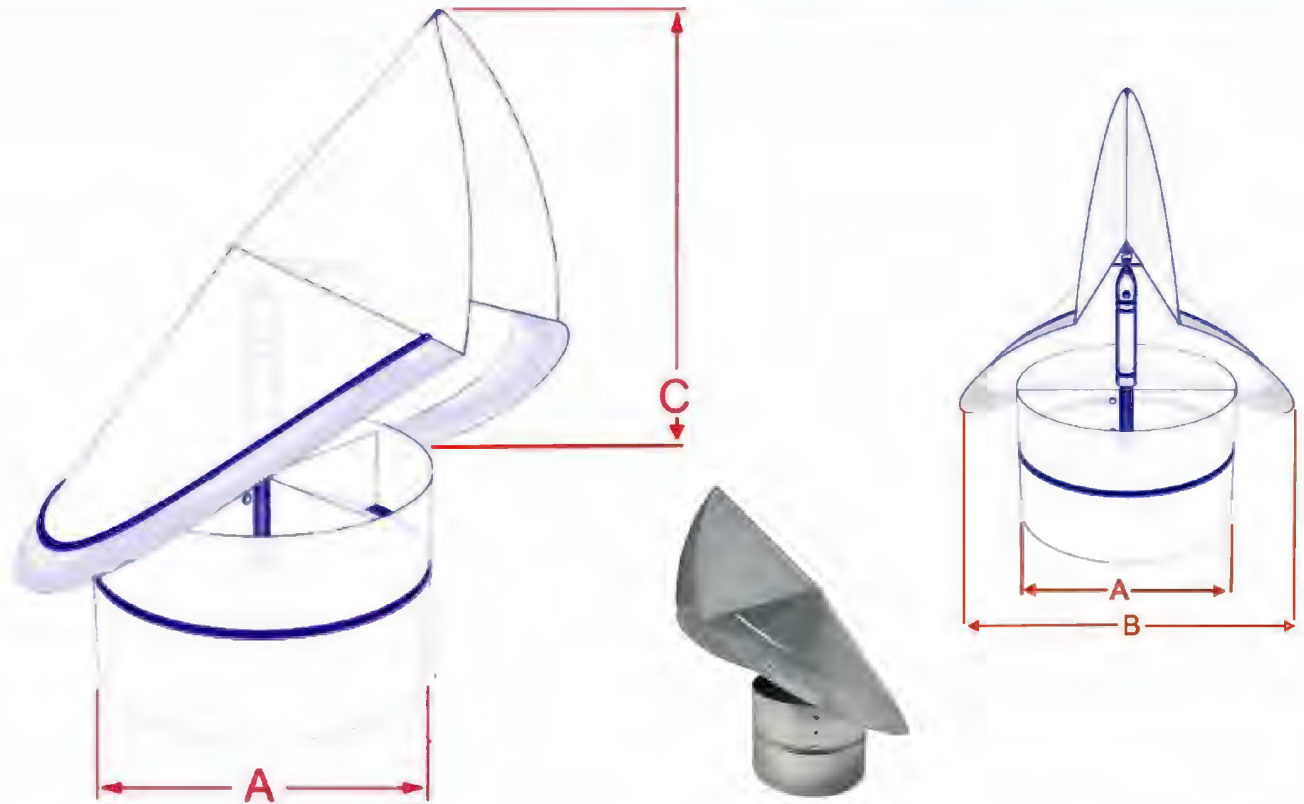
- MANUFACTURED TO FIT SINGLE & DOUBLE WALL PIPE
- CAN BE ADAPTED TO FIT TRIPLE WALL PIPE USING WIND CAP ADAPTOR
- CAN BE ADAPTED TO FIT MASONRY CHIMNEY USING ADJUSTABLE TILE ADAPTOR
- GREASE ZERK INSTALLED FOR EASY MAINTENANCE
- USES HIGH-TEMP MOLYBDENUM GREASE
- GALVANIZED (G-90)
- STAINLESS STEEL (304-2B)

MATERIAL KEY

SPECIFY MATERIAL AFTER PART

GALVANIZED = LEAVE BLANK | (WDC#)

STAINLESS STEEL = S | (WDCS#)



SKU	SIZE	A	B
WDC_4	4"	4.00	9.00
WDC_5	5"	5.00	11.00
WDC_6	6"	6.00	11.00
WDC_7	7"	7.00	13.00
WDC_8	8"	8.00	13.00
WDC_9	9"	9.00	21.25
WDC_10	10"	10.00	22.00
WDC_12	12"	12.00	23.50



EMAIL: DAVE@LUXURYMETALS.COM
PHONE: (206) 406-7346 | WEBSITE: WWW.LUXURYMETALS.COM



Luxury Metals LLC,
2187 SW Main St # 10,
Portland, OR 97205