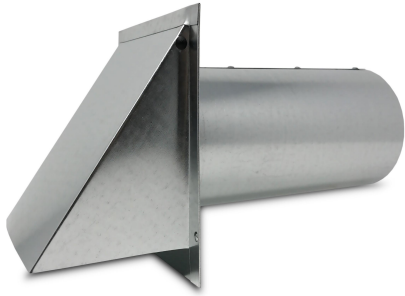


PRODUCT: WALL VENT CAP

MATERIALS: GALVANIZED, ALUMINUM, STAINLESS STEEL, COPPER

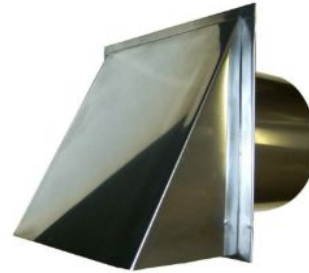
SIZES: 3" - 14" | SCREEN ONLY, DAMPER ONLY, DAMPER & SCREEN



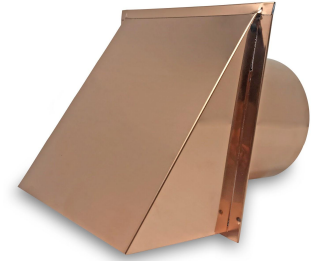
GALVANIZED
SIZES: 3" - 14"



ALUMINUM
SIZES: 3" - 14"



STAINLESS STEEL
SIZES: 3" - 10"



COPPER
SIZES: 3" - 10"

PRODUCT HIGHLIGHTS

THE WALL CAP IS IDEAL FOR USE WITH DRYER VENTING, KITCHEN FAN EXHAUST, BATH FAN EXHAUST, FURNACE AIR INTAKE, WHOLE HOUSE VENTILATION, AND HRV'S. VENTS WITH DAMPERS COME STANDARD WITH A SPRING CLOSURE DAMPER AND WEATHER SEAL FOR INCREASED ENERGY EFFICIENCY AND NOISE REDUCTION.

- SPRING CLOSE FOAM LINED DAMPERS
- 1/4" SCREEN
- 1/8" SCREEN AVAILABLE UPON REQUEST
- GALVANIZED ((G-90)
- STAINLESS STEEL (304-2B)
- ALUMINUM (H3003)
- HOOD, FLANGE & DAMPER

PRODUCT: WALL VENT CAP (_WV__)

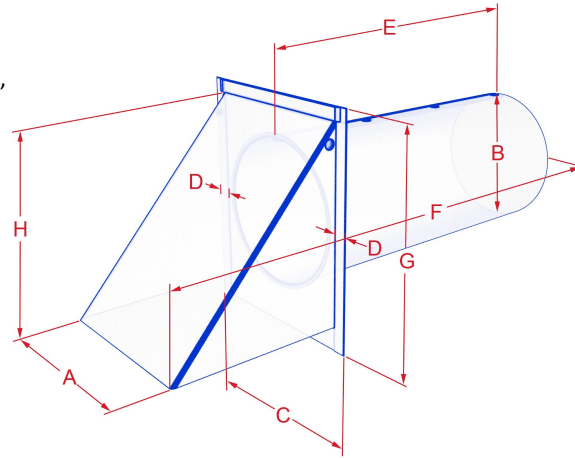
MATERIALS: GALVANIZED, ALUMINUM

SIZES: 3"- 14" | SCREEN ONLY, DAMPER ONLY, DAMPER & SCREEN

PRODUCT HIGHLIGHTS

THE WALL CAP IS IDEAL FOR USE WITH THE DAMPER ONLY DRYER VENTING, KITCHEN FAN EXHAUST, BATH FAN EXHAUST, FURNACE AIR INTAKE (SCREEN ONLY), WHOLE HOUSE VENTILATIONS, AND HRV'S. VENTS WITH DAMPERS COME STANDARD WITH A SPRING CLOSURE DAMPER AND WEATHER SEAL FOR INCREASED ENERGY

- SPRING CLOSE FOAM LINED DAMPERS
- SCREENS ARE 1/4"
- 1/8" SCREENS AVAILABLE UPON REQUEST
- GALVANIZED ((G-90)
- ALUMINUM (H3003)
- POWDER COATED COLORS (BLACK, BROWN, WHITE)
- HOOD, FLANGE & DAMPER



SPECIFICATION KEY

SPECIFY DAMPER & SCREEN OPTIONS BEFORE PART

D = DAMPER ONLY (**D**WV__#)

S = SCREEN ONLY (**S**WV__#)

SD = DAMPER & SCREEN (**SD**WV__#)

SPECIFY MATERIAL AFTER PART

G = GALVANIZED (_WV**G**#)

A = ALUMINUM (_WV**A**#)

SKU	SIZE	A	B	C	D	E	F	G	H
__WV__3	3"	5.00	3.00	6.00	.5	8.50	12.375	6.625	5.375
__WV__4	4"	5.00	4.00	6.00	.5	8.50	12.3875	6.625	5.375
__WV__5	5"	6.00	5.00	7.00	.5	8.50	12.250	7.00	6.125
__W__6	6"	7.0625	6.00	8.00	.5	8.50	12.750	8.00	7.375
__WV__7	7"	7.875	7.00	9.00	.5	8.50	13.750	9.00	7.875
__WV__8	8"	9.875	8.00	11.00	.5	8.50	13.625	11.00	9.812
__WV__10	10"	12.00	10.00	13.00	.5	8.50	15.00	13.50	11.812
__WV__12	12"	13.00	12.00	12.00	.5	8.50	17.250	14.5625	13.375
__WV__14	14"	15.00	14.00	14.00	.5	8.50	19.500	16.750	15.000