

PRODUCT: BACKDRAFT DAMPER-BUTTERFLY DAMPER (BD__)

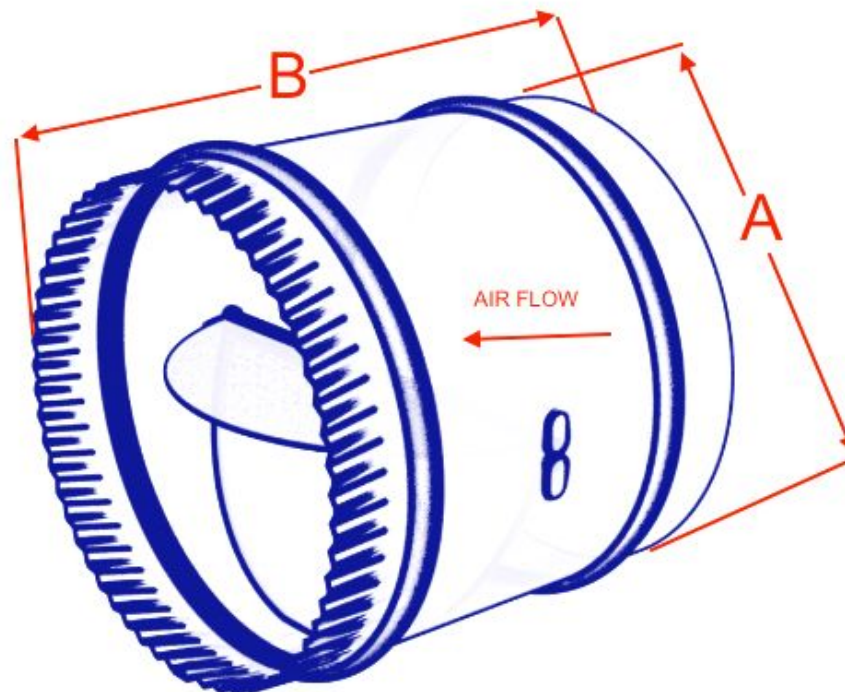
MATERIALS: GALVANIZED & STAINLESS STEEL

SIZES: 3" - 24"

PRODUCT HIGHLIGHTS

THE BACKDRAFT DAMPER, ALSO REFERRED TO AS BUTTERFLY DAMPER IS IDEAL FOR USE AS AN INLINE BACKDRAFT DAMPER FOR INTAKE OR EXHAUST APPLICATIONS

- VERTICAL OR HORIZONTAL INSTALLATION
- INTAKE OR EXHAUST
- CLOSED CELL FOAM TAPE FOR SECURE SEAL
- GALVANIZED (G-90)



SKU	SIZE	A	B
BD 3	3"	3.00	5.00
BD 4	4"	4.00	6.00
BD 5	5"	5.00	6.00
BD 6	6"	6.00	6.00
BD 7	7"	7.00	7.00
BD 8	8"	8.00	8.00
BD 9	9"	9.00	8.00

SKU	SIZE	A	B
BD 10	10"	10.00	8.00
BD 12	12"	12.00	9.00
BD 14	14"	14.00	12.00
BD 16	16"	16.00	14.00
BD 18	18"	18.00	16.00
BD 20	20"	20.00	18.00
BD 24	24"	24.00	22.00