

# PRODUCT: PAINT LOCK WALL VENT (GN)

MATERIALS: GALVANNEAL

SIZES: 4", 6", & 8"

## Product Highlights:

OUR PAINT LOCK WALL VENT IS IDEAL FOR USE WITH THE DAMPER ONLY DRYER VENTING, KITCHEN FAN EXHAUST, BATH FAN EXHAUST, FURNACE AIR INTAKE (SCREEN ONLY), WHOLE HOUSE VENTILATIONS, AND HRV'S. VENTS WITH DAMPERS COME STANDARD WITH A SPRING CLOSURE DAMPER AND WEATHER SEAL FOR INCREASED ENERGY

- SPRING CLOSE FOAM LINED DAMPERS
- SCREENS ARE 1/4"
- 1/8" SCREENS AVAILABLE UPON REQUEST

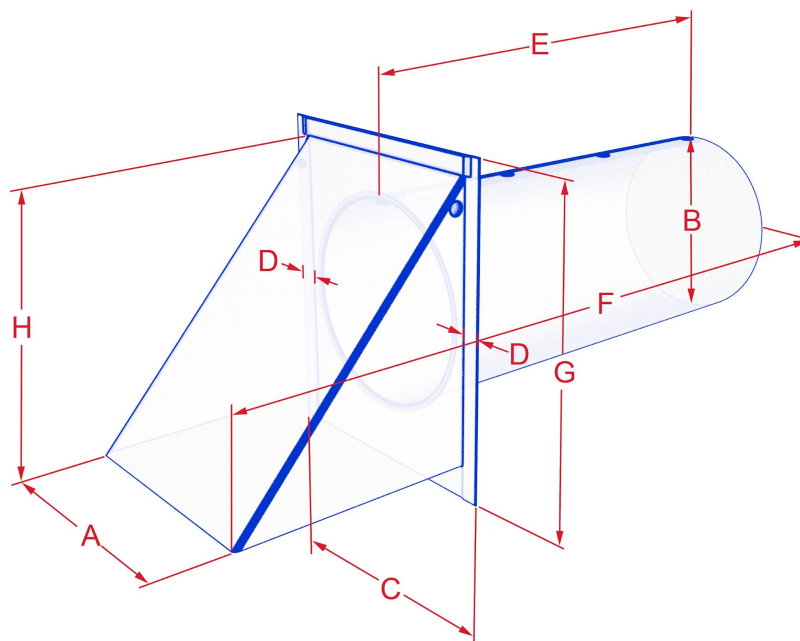
## SPECIFICATION KEY

SPECIFY DAMPER & SCREEN OPTIONS BEFORE PART

D = DAMPER ONLY (DWVGN#)

S = SCREEN ONLY (SWVGN#)

SD = DAMPER & SCREEN (SDWVGN#)



SKU	SIZE	A	B	C	D	E	F	G	H
__GN__4	4"	5.00	4.00	6.00	.5	8.50	12.3875	6.625	5.375
__GN__6	6"	7.0625	6.00	8.00	.5	8.50	12.750	8.00	7.375
__GN__8	8"	9.875	8.00	11.00	.5	8.50	13.625	11.00	9.812