

# PRODUCT: PAINT LOCK WALL VENT (GN)

MATERIALS: GALVANNEAL

SIZES: 4", 6", 8", & 10"

## Product Highlights:

OUR PAINT LOCK WALL VENT IS CRAFTED FROM THICK 24-GAUGE METAL, THIS VENT SIMPLIFIES YOUR PAINTING PROCESS WITH ITS PAINT LOCK FINISH. ITS SUPERIOR PAINT-LOCK GRIP AND 24-GAUGE DURABILITY MAKE IT THE IDEAL CHOICE FOR YOUR NEW WALL VENT REPLACEMENTS. READY FOR PAINTING STRAIGHT OUT OF THE BOX, ELIMINATING THE NEED FOR CLEANING, ETCHING, OR PRIMING AND REDUCING ON-SITE LABOR TIME SIGNIFICANTLY. OFFERED IN SIZES RANGING FROM 4" TO 10", WITH CUSTOMIZABLE OPTIONS INCLUDING THE CHOICE OF A SCREEN OR NO SCREEN, AS WELL AS THE OPTION FOR A DAMPER OR NO DAMPER.

- SPRING CLOSE FOAM LINED DAMPERS
- SCREENS ARE 1/4"
- 1/8" SCREENS AVAILABLE UPON REQUEST

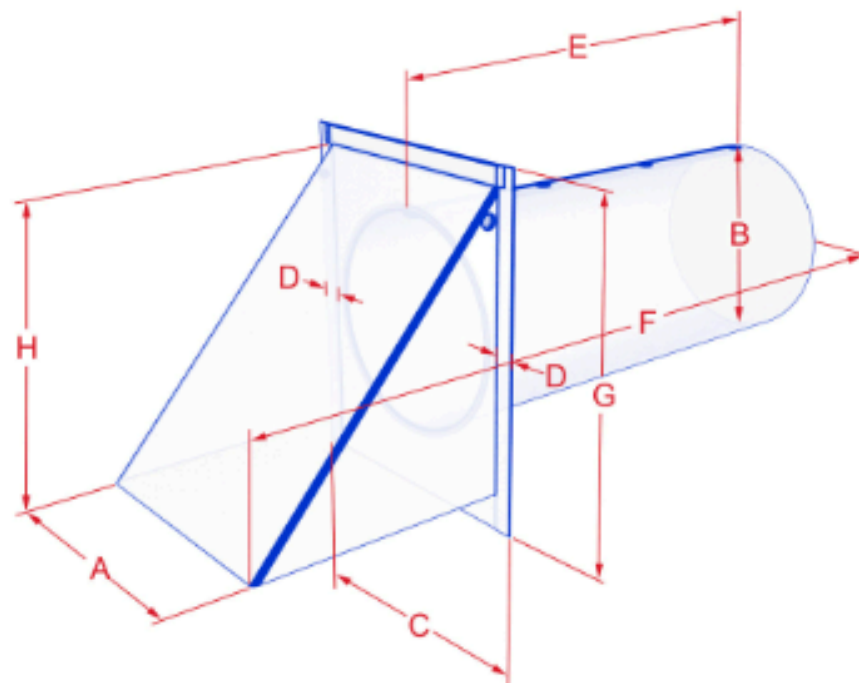
## SPECIFICATION KEY

SPECIFY DAMPER & SCREEN OPTIONS BEFORE PART

D = DAMPER ONLY (**D**WVGN#)

S = SCREEN ONLY (**S**WVGN#)

SD = DAMPER & SCREEN (**SD**WVGN#)



SKU	SIZE	A	B	C	D	E	F	G	H
__WVGN4	4"	5.00	4.00	6.00	.5	8.50	12.3875	6.625	5.375
__WVGN6	6"	7.0625	6.00	8.00	.5	8.50	12.750	8.00	7.375
__WVGN8	8"	9.875	8.00	11.00	.5	8.50	13.625	11.00	9.812
__WVGN10	10"	12.00	10.00	13.00	.5	8.50	15.00	13.50	11.812