

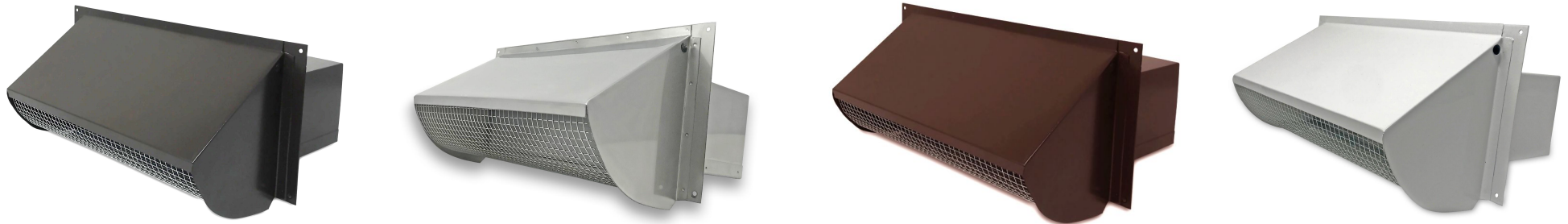
PRODUCT: RECTANGULAR - WALL VENT CAP | (R_____)

MATERIALS: GALVANIZED, STAINLESS STEEL, ALUMINUM, COPPER & POWDER COATED

SIZES: 3.25 X 10", 3.25 X 12", 3.25 X 14" | SCREEN ONLY, DAMPER ONLY, DAMPER & SCREEN



LUXURY METALS



PRODUCT HIGHLIGHTS

THE RECTANGULAR WALL CAP IS IDEAL FOR USE AS KITCHEN FAN EXHAUST. HEAVY DUTY CONSTRUCTION WITH SPRING CLOSURE DAMPER AND WEATHER SEAL FOR INCREASED ENERGY EFFICIENCY AND NOISE REDUCTION.

- GALVANIZED (G90, 26GA)
- STAINLESS STEEL (304-2B)
- ALUMINUM (020)
- COPPER (16 OZ)
- POWDER COATED GALVANIZED IN BLACK, BROWN OR WHITE
- W/SCREEN, W/O SCREEN
- 1/4" GALVANIZED SCREEN
- 1/4" STAINLESS STEEL SCREEN
- 1/4" ALUMINUM
- CUSTOM COLOR MATCH AVAILABLE ON LARGE QUANTITY ORDERS
- RAL COLOR CODE REQUIRED



EMAIL: DAVE@LUXURYMETALS.COM
PHONE: (206) 406-7346 | **WEBSITE:** WWW.LUXURYMETALS.COM



Luxury Metals LLC
4708 W Fairview Ave #100
Boise, ID 83706

PRODUCT: COPPER RECTANGULAR WALL VENT CAP | (RC__)

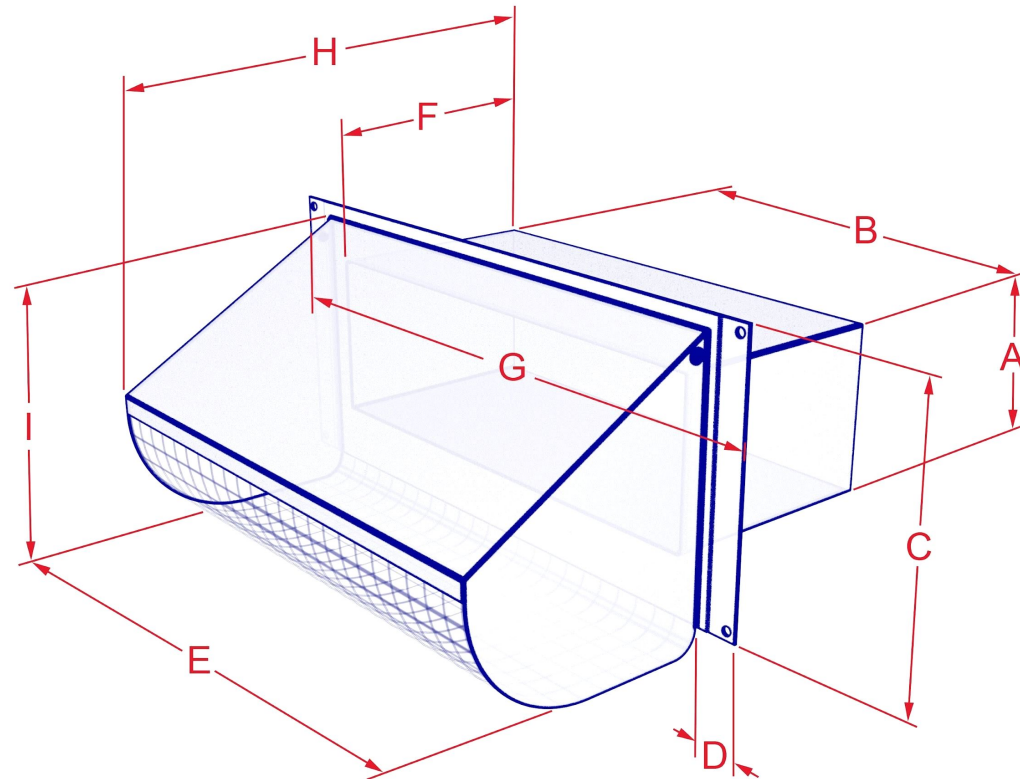
MATERIALS: COPPER

SIZES: 3.25 X 10" | SCREEN ONLY, DAMPER ONLY, DAMPER & SCREEN

PRODUCT HIGHLIGHTS

THE RECTANGULAR WALL CAP IS IDEAL FOR USE AS KITCHEN FAN EXHAUST. HEAVY DUTY CONSTRUCTION WITH SPRING CLOSURE DAMPER AND WEATHER SEAL FOR INCREASED ENERGY EFFICIENCY AND NOISE REDUCTION.

- HOOD DESIGN PREVENTS WIND INDUCED RATTLING AND RAIN PENETRATION
- 16 OZ. COPPER
- DAMPER IS SPRING LOADED AND HAS A FOAM SEAL TO ENSURE MAXIMUM NOISE AND WEATHER PROTECTION
- ALL COPPER WALL CAPS ARE MANUFACTURED WITH COPPER SCREEN INSTALLED
- 1/4" COPPER SCREEN



| DAMPER | DAMPER & SCREEN | SIZE | A | B | C | D | E | F | G | H |
|--------|-----------------|------------|------|-------|-------|------|-------|-------|-------|------|
| RC310 | RC310S | 3.25 X 10" | 3.25 | 10.00 | 5.825 | 1.00 | 11.00 | 4.875 | 12.75 | 9.50 |