

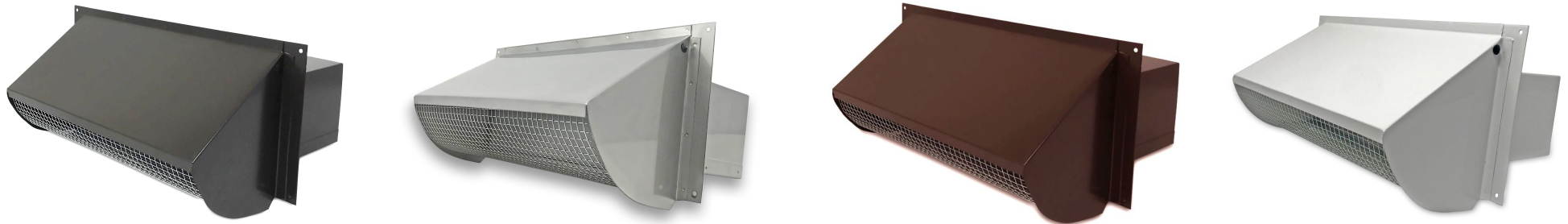
PRODUCT: RECTANGULAR - WALL VENT CAP | (R_____)

MATERIALS: GALVANIZED, STAINLESS STEEL, ALUMINUM, COPPER & POWDER COATED

SIZES: 3.25 X 10", 3.25 X 12", 3.25 X 14" | SCREEN ONLY, DAMPER ONLY, DAMPER & SCREEN



LUXURY METALS



PRODUCT HIGHLIGHTS

THE RECTANGULAR WALL CAP IS IDEAL FOR USE AS KITCHEN FAN EXHAUST. HEAVY DUTY CONSTRUCTION WITH SPRING CLOSURE DAMPER AND WEATHER SEAL FOR INCREASED ENERGY EFFICIENCY AND NOISE REDUCTION.

- GALVANIZED (G90, 26GA)
- STAINLESS STEEL (304-2B)
- ALUMINUM (020)
- COPPER (16 OZ)
- POWDER COATED GALVANIZED IN BLACK, BROWN OR WHITE
- W/SCREEN, W/O SCREEN
- 1/4" GALVANIZED SCREEN
- 1/4" STAINLESS STEEL SCREEN
- 1/4" ALUMINUM
- CUSTOM COLOR MATCH AVAILABLE ON LARGE QUANTITY ORDERS
- RAL COLOR CODE REQUIRED



EMAIL: DAVE@LUXURYMETALS.COM
PHONE: (206) 406-7346 | **WEBSITE:** WWW.LUXURYMETALS.COM



Luxury Metals LLC
4708 W Fairview Ave #100
Boise, ID 83706

PRODUCT: RECTANGULAR - WALL VENT CAP | (R____)

MATERIALS: GALVANIZED, ALUMINUM & POWDER COATED

SIZES: 3.25 X 10", 3.25 X 12", 3.25 X 14" | SCREEN ONLY, DAMPER ONLY, DAMPER & SCREEN

MATERIAL & COLOR KEY

SPECIFY MATERIAL AFTER PART

LEAVE BLANK = GALVANIZED (R #)

S = STAINLESS STEEL (R# #)

A = ALUMINUM (R# #)

SPECIFY DAMPER & SCREEN OPTIONS BEFORE PART

D = DAMPER ONLY (R_#D)

S = SCREEN ONLY (R_#S)

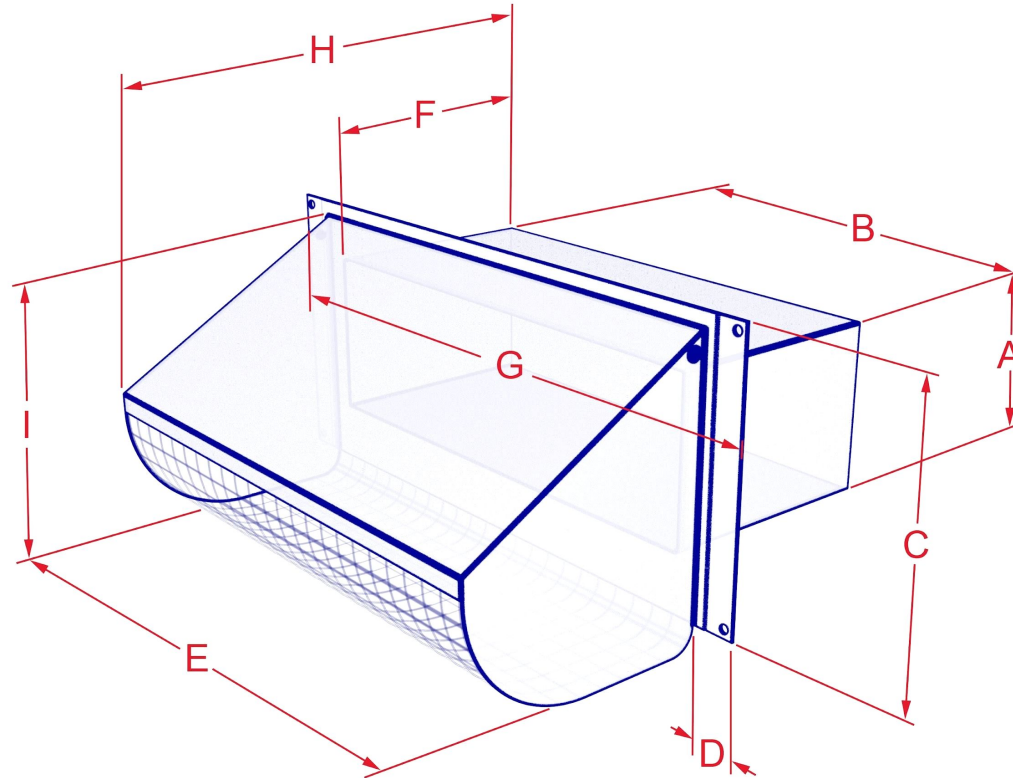
SD = DAMPER & SCREEN (R_#SD)

SPECIFY POWDER COATED COLORS AT END OF PART

BL = BLACK (RP #BL)

BR = BROWN (RP #BR)

W = WHITE (RP #W)



SKU	SIZE	A	B	C	D	E	F	G	H
R_310_	3.25 X 10"	3.25	10.00	5.635	1.00	11.00	4.875	12.75	9.50
R_312_	3.25 X 12"	3.25	12.00	5.625	1.00	12.875	4.875	14.563	9.50
R_314_	3.25 X 14"	3.25	14.00	5.625	1.00	15.875	4.875	16.563	9.50