

# PRODUCT: WIND DIRECTIONAL CAP (WDC\_\_)

**MATERIALS:** GALVANIZED & STAINLESS STEEL

**SIZES:** 4" - 12"

## PRODUCT HIGHLIGHTS

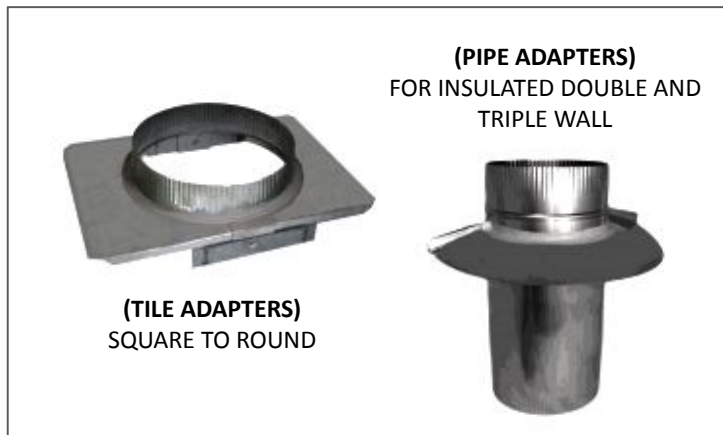
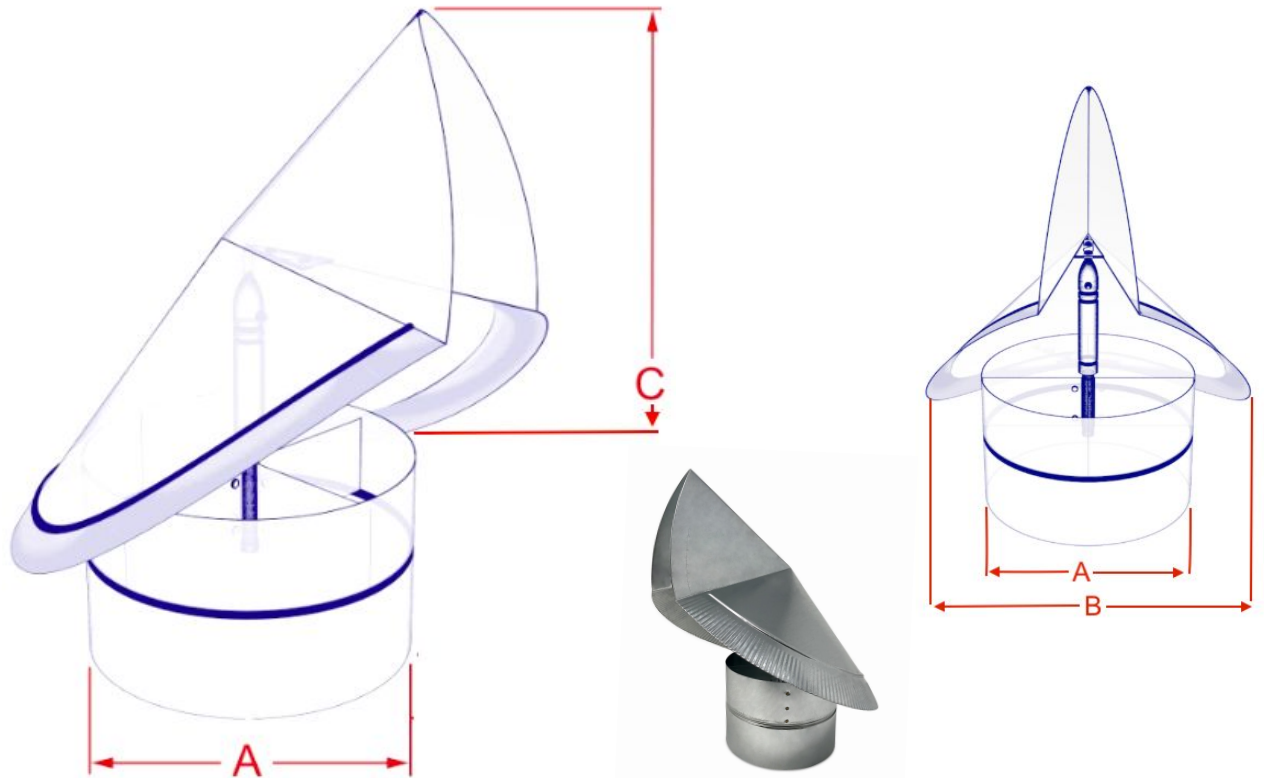
- MANUFACTURED TO FIT SINGLE & DOUBLE WALL PIPE
- CAN BE ADAPTED TO FIT TRIPLE WALL PIPE USING WIND CAP ADAPTOR
- CAN BE ADAPTED TO FIT MASONRY CHIMNEY USING ADJUSTABLE TILE ADAPTOR
- GREASE ZERK INSTALLED FOR EASY MAINTENANCE
- USES HIGH-TEMP MOLYBDENUM GREASE
- GALVANIZED (G-90)
- STAINLESS STEEL (304-2B)

## MATERIAL KEY

SPECIFY MATERIAL AFTER PART

GALVANIZED = LEAVE BLANK | (WDC#)

STAINLESS STEEL = S | (WDCS#)



SKU	SIZE	A	B
WDC__4	4"	4.00	9.00
WDC__5	5"	5.00	11.00
WDC__6	6"	6.00	11.00
WDC__7	7"	7.00	13.00
WDC__8	8"	8.00	13.00
WDC__9	9"	9.00	21.25
WDC__10	10"	10.00	22.00
WDC__12	12"	12.00	23.50